



# Frontrunner Entrance Flooring System

## INSTALLATION INSTRUCTIONS

### SURFACE MOUNTED APPLICATIONS

Please read these instructions carefully and completely before commencing installation.

## 1 PREPARATION

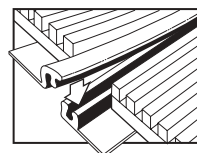
- A** Confirm door clearance/opening direction is sufficient for height of entrance system being installed.
- B** It is recommended that the entrance matting system be installed as late in the building process to protect it from damage associated with general building works.
- C** Read through installation instructions before commencing.
- D** Un-pack and inspect all materials to ensure they are free from transport damage.
- E** Unroll/unpack the sections of matting and lay in a clean dry protected area to acclimatise and relax. Depending on duration of storage and ambient temperature, this process may take up to 24 hours. A Heatgun can be used to aid relaxation of matting.
- F** When handling the rolls or large panels of matting at any time during the installation, avoid dragging or rough handling that may cause stretching or distortion.

## 2 EQUIPMENT REQUIRED

- Frontrunner entrance flooring matting (supplied).
- Edging strips - aluminium or pvc types (supplied as required).

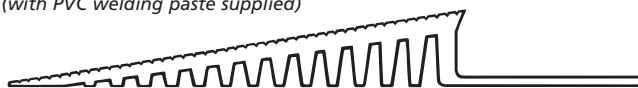


*Aluminium ramping*  
(for 14mm height grid only, with screws & rawl plugs supplied)



*'Snap Track'  
Joining Strip*

*PVC edging*  
(with PVC welding paste supplied)



*Low-Profile PVC edging*  
(with PVC welding paste supplied)



- A powered drill with size 5.5mm masonry drill bit, hacksaw, hammer, utility knife and straight edge.
- Cold welding paste for PVC edging (supplied).
- Weights for use when cold welding PVC edging.
- A hot air gun may facilitate installation in cold ambient temperatures.

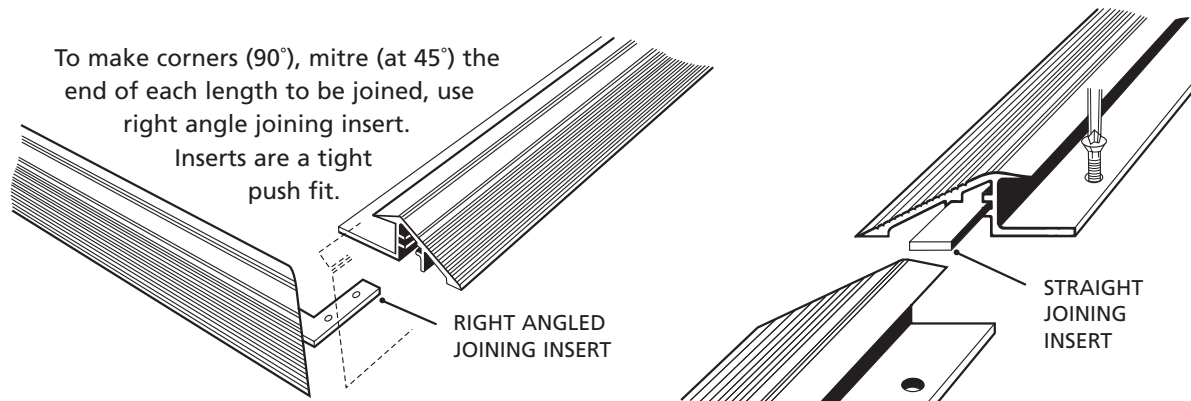
## 3 DEFINITIONS (as per British Standard 7953-1999; Selection Installation and Maintenance of Entrance flooring systems)

<b>WIDTH</b>	Distance measured at right angles to the direction of traffic flow.
<b>LENGTH</b>	Distance measured in the direction of traffic flow (Note: The length as defined here can, in some instances, be shorter than the width).
<b>DEPTH</b>	Thickness of the entrance flooring system material.
<b>RECESSED WELL</b>	System specifically constructed to hold the entrance flooring system so that its surface is at the existing floor level.
<b>SURFACE MOUNTED SYSTEM</b>	System for retaining entrance floor system on top of existing floor level.

## 4 INSTALLING ALUMINIUM EDGING

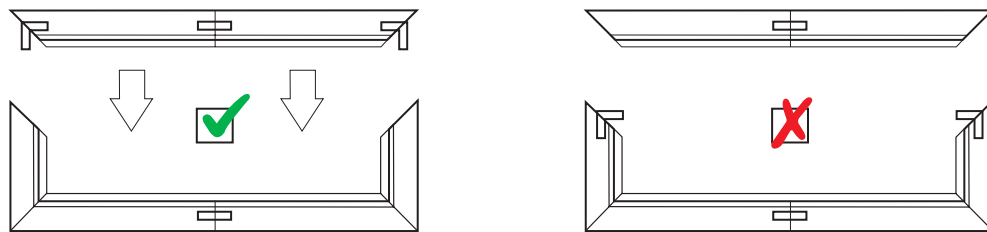
### Aluminium ramping

Ramp is supplied in 2 metre lengths.



To make up longer lengths, use straight joining inserts

When completing the final side of the frame; note that both corner inserts should be fitted to the single remaining edge and not existing edges (see below).

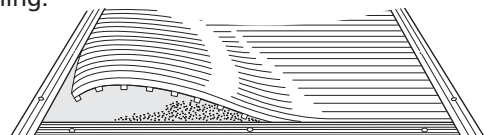


Fixing to the floor - It is recommended that the aluminium frame is fixed to the floor, using the screws and rawl plugs provided. The countersunk holes in the frame can be used to mark the hole positions on the floor. The holes should be drilled 6mm in diameter and 36mm deep to suit the screws and plugs provided.

## 5 INSTALLING THE MATTING (and sub-dividing aluminium sections if required)

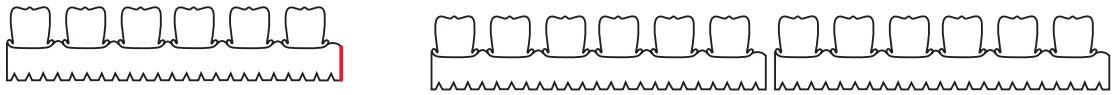
The sections of matting will have been supplied slightly oversize and may require final trimming on site. Note: When installing Fronrunner Plus or Brush ensure final trim edge retains at least one PVC bar (ie. do not trim so that insert forms edge). The matting should be laid so that top ribs are across traffic flow with the narrower spaced bars uppermost.

- Cut matting using a utility knife and a straight edge. In cold ambient temperatures warm matting with hot air gun to facilitate cutting.
- Position one end of mat flush against edging strip and lay out mat in recess. Trim other end so that finished section of matting is a close fit against adjoining edging strip.
- Ensure top surface is uppermost when doing any final trimming.
- Due to the elastic nature of the product, it is important to avoid rough handling of product during installation thus preventing possible stretching.



- Where the front to back dimension of the mat well is greater than the maximum width of the matting available, it is recommended to cut the matting so that the base bars of one section of the matting extend outwards to form a 'dog leg' spacer (shown in red), resulting in a visually seamless join.

Fronrunner Entrance Flooring cut with a 'dog leg' spacer.



↑ 'dog leg seam' prior to butting matting together

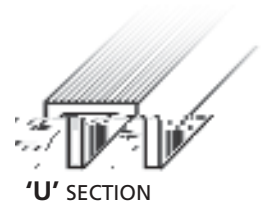
When the next section of Fronrunner Entrance Flooring is positioned against the 'dog leg', the spacing of the top ribs is maintained to provide a seamless join. This process can be repeated over multiple widths.

### 'U' Frames (if applicable)

For installations over 1.8m approx. in length (in direction of traffic), inverted 'U' frames should be used as spacers to separate the matting into manageable sizes.

Install the sub-dividing 'U' frames along the length of the matting as follows;

- 1 Starting at the threshold edge of the entrance, install the first section of matting.
- 2 Position divider along exposed edge and mark holes for drilling.
- 3 Repeat process of mat section then inverted 'u' until complete surface area of mat is covered.
- 4 The matting will have been supplied in sizes to provide uniform spaced frame sections.



Once the inverted 'U' frames and mat sections are positioned tighten home screws on ramping frames so that entire installation is secured.

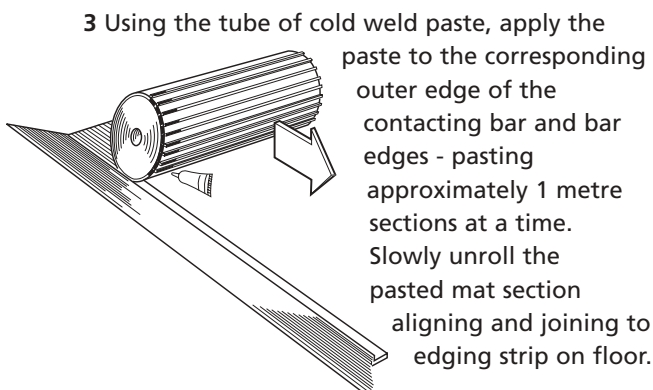
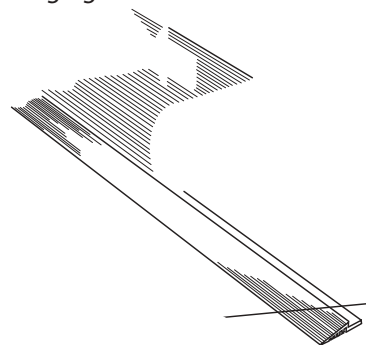
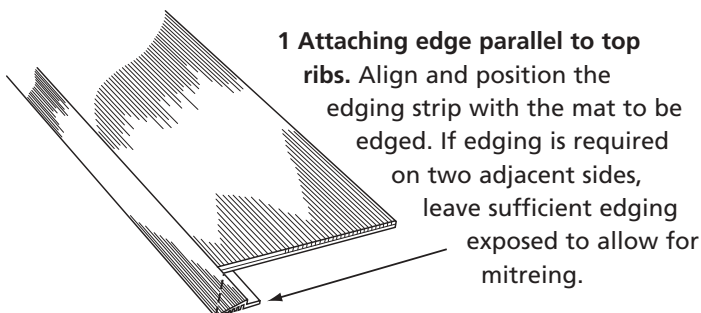
Cover and protect entrance matting system until final cleaning prior to opening.

## 6 FITTING PVC EDGING

The PVC edging can be fixed either; a) to the matting itself to form a permanent bond or, b) to the floor to form a perimeter.

### a) Fitting PVC edging to the matting:-

**Preparation:** It is recommended that the work be carried out inside, in a well ventilated area. A flat clean floor is essential. Unroll the matting to be edged and the edging itself to allow them to flatten out. Depending on duration of storage and ambient temperature, this process may take 24 hours. Be sure to do this prior to welding. In cold ambient temperatures warm pvc edging with hot air gun to accelerate flattening.



**5 Attaching edging perpendicular to ribs.** Align edges in final position to confirm mitred joints. Leaving edge to be fitted in position, lift matting to expose base bars. Apply cold weld paste to base bars and into contact with vertical face of edging. Re-join together and weight down for 20-30 minutes. Finally, weld mitre corners together with paste. Ensure not to leave any residual paste on exposed edging.

**b) Fitting PVC edging to the floor:-**

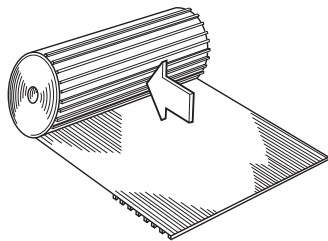
Mark out area where edging will be placed. Ensure floor surface is clean, dry and sound. Layout edging and mitre corners as appropriate. Adhere base of edging to floor surface with either plasticiser resistant 2-part polyurethane adhesive ie. Mapei Adesilex G19, or a heavy duty contract double sided carpet tape. Ensure the extremities of the PVC edging base are adhered to the floor.

**7 FITTING PVC MULTI-PURPOSE SNAP TRACK** (if applicable)

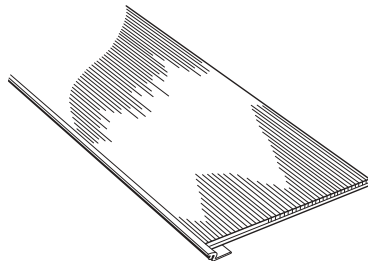
**Tools required:** 1 container of Cold Weld Paste (included in the kit) \* 2 Mats \* Snap Track \* Weights \* Sharp knife \* Straight edge

**Preparation:** It is recommended that the work be carried out inside a well ventilated area. A flat clean floor area is essential. Unroll both the matting and the snap track to allow to flatten out. Depending on duration of storage and ambient temperature, this process may take 24 hours. Be sure to do this prior to welding.

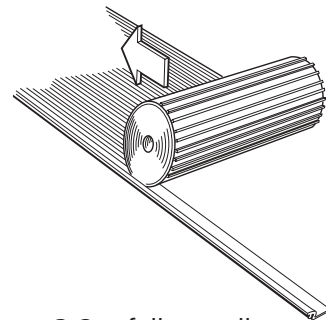
**Procedure:**



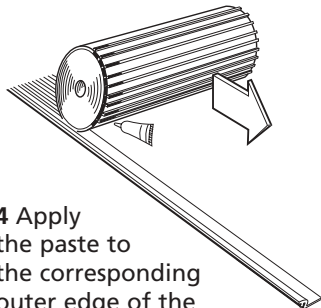
**1** Unroll the mat and cut to desired length.



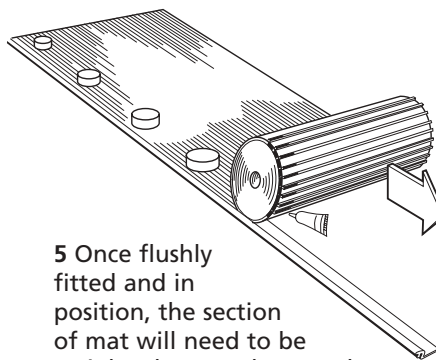
**2** Unroll the snap track aligning and positioning the 'male' piece to mat length on 'left side'.



**3** Carefully re-roll the mat leaving snap track in position.



**4** Apply the paste to the corresponding outer edge of the contacting bar and bar edges - pasting approximately 1 metre sections at a time. Slowly unroll the pasted mat section aligning and joining to snap track on floor (as indicated by the shaded area).



**5** Once flushy fitted and in position, the section of mat will need to be weighted at evenly spaced intervals while the paste bonds. **DO NOT** disturb joints for 30 minutes.

**6** Repeat process to the other mat applying 'female' snap track to mat length on 'right side'

For further information please contact your supplier:



Manufactured by:  
**PLASTIC EXTRUDERS LTD**  
**TEL: (01268) 571116**  
**FAX: (01268) 560027**  
 e-mail: sales@plastex.co.uk

